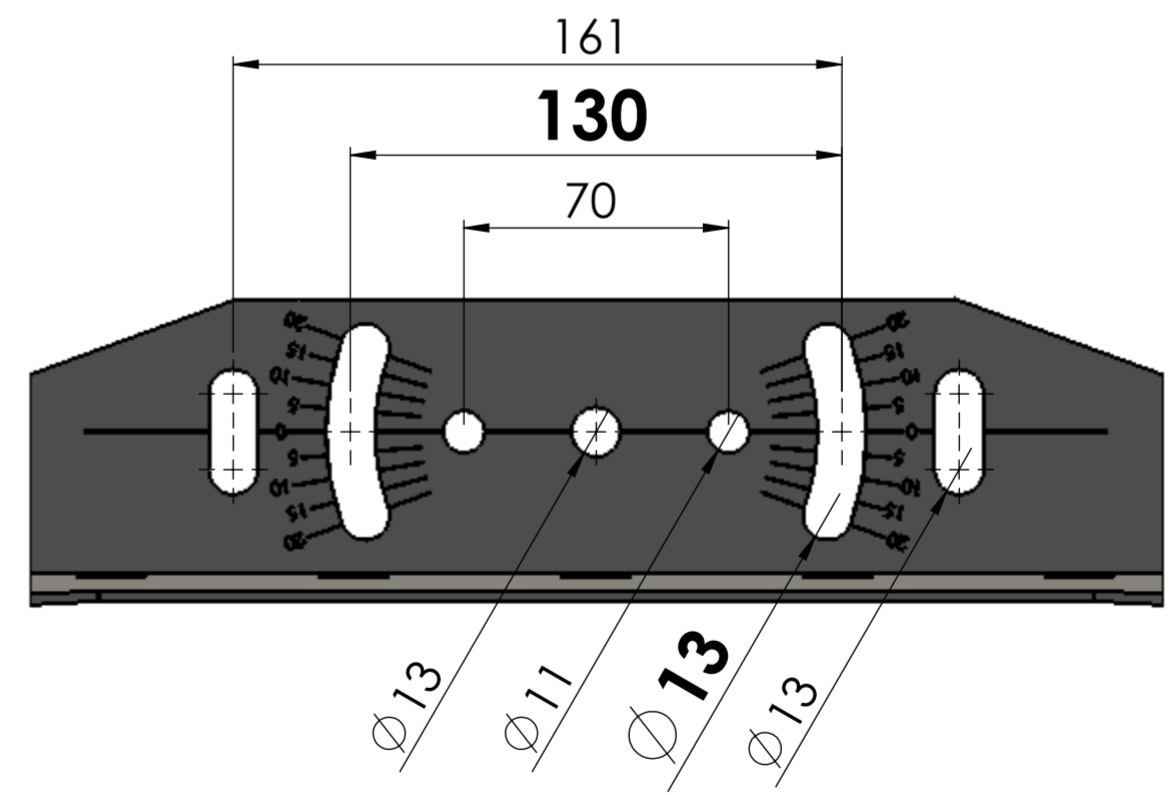


A (2:1)



UNLESS OTHERWISE SPECIFIED: DIMENSIONS ARE IN MILLIMETERS SURFACE FINISH: TOLERANCES: LINEAR: ANGULAR:				FINISH:	DEBUR AND BREAK SHARP EDGES	DO NOT SCALE DRAWING	REVISION	6
						Luminell AS		
						TITLE: RLX D General Drawing		
DRAWN	NAME	SIGNATURE	DATE			DWG NO.	A2	
CHKD	CLV		02.08.13			RLX D General Drawing rev 6		
						MATERIAL:		
						WEIGHT:	SCALE:1:2 SHEET 1 OF 1	